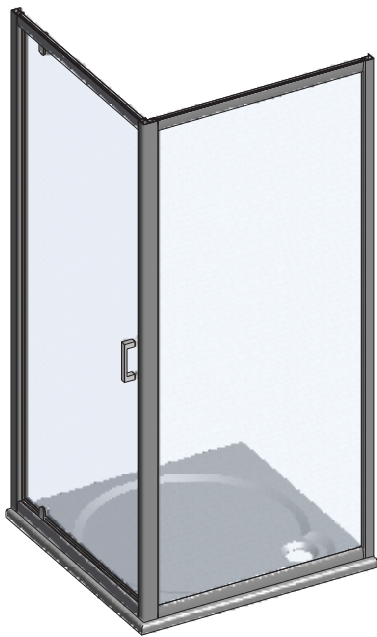
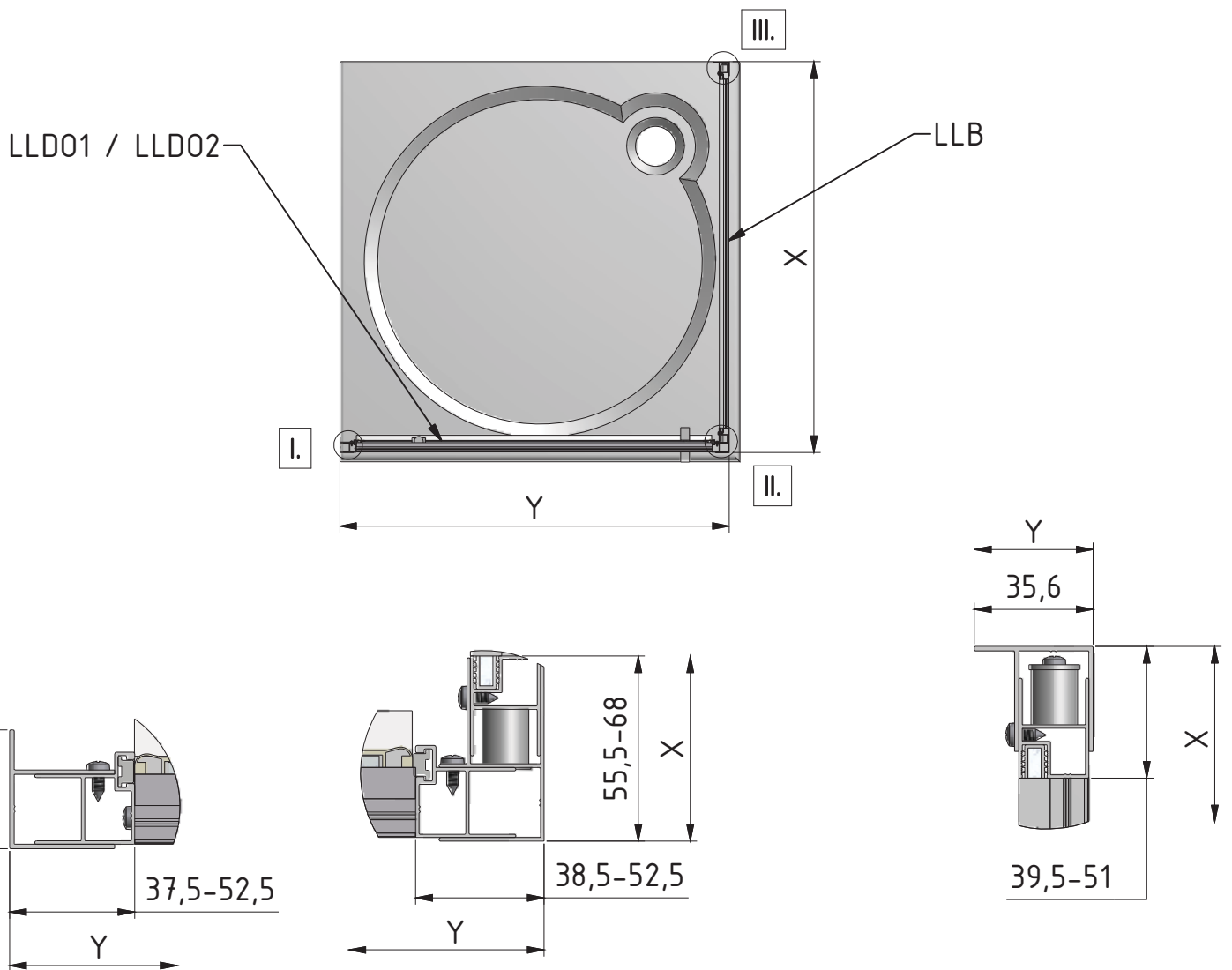
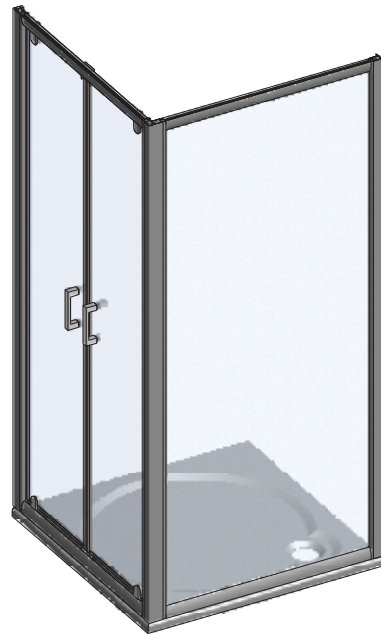


LLD01 + LLB

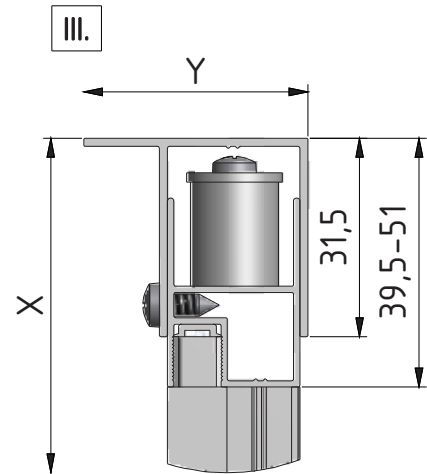
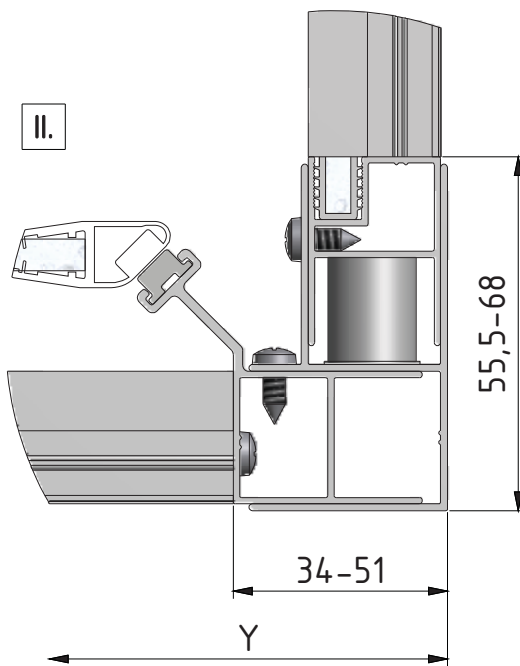
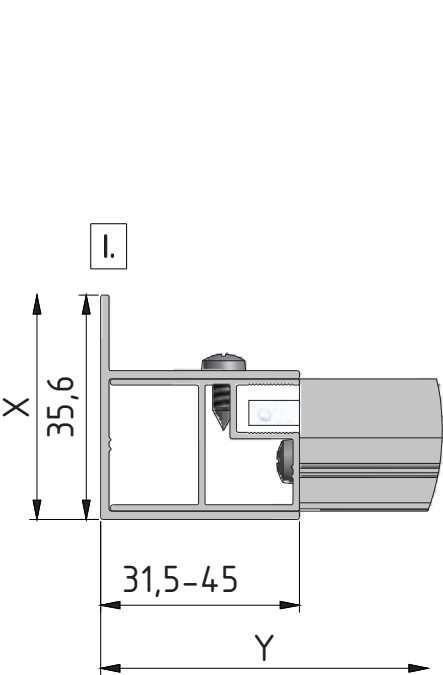
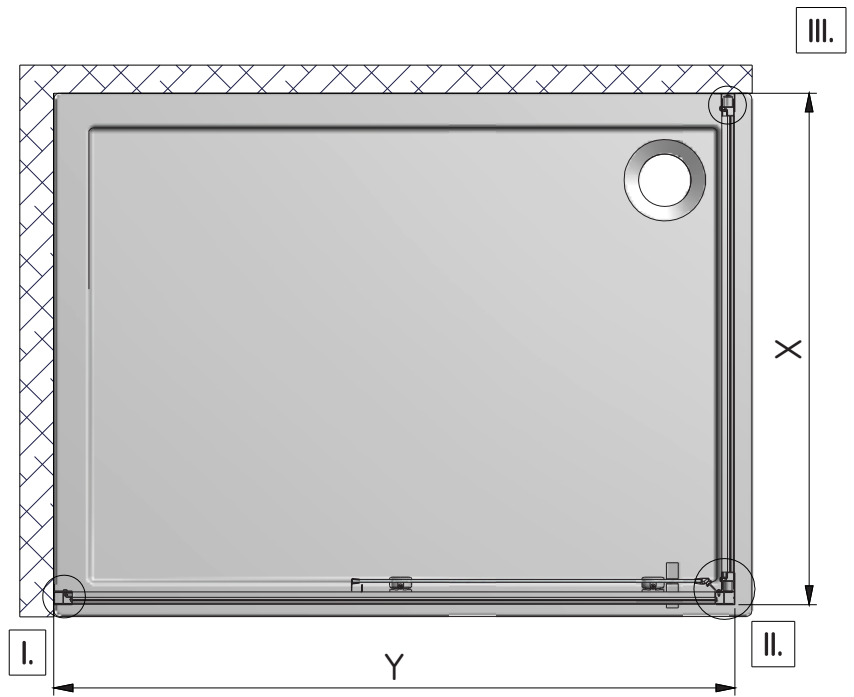
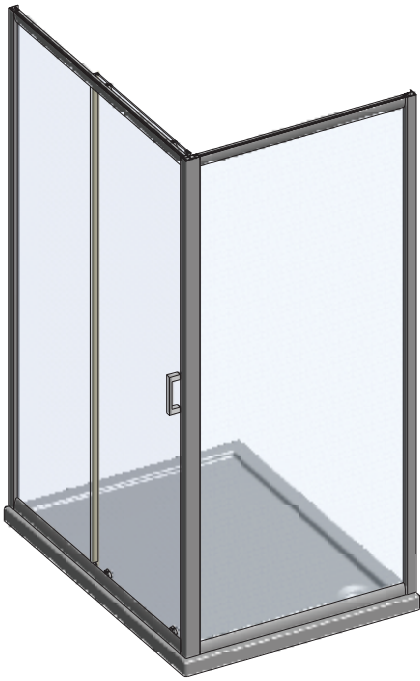


LLD02 + LLB



| | X (MIN-MAX) | Y (MIN-MAX) |
|------|-------------|-------------|
| 700 | 679-705 | 675-705 |
| 750 | 729-755 | - |
| 800 | 779-805 | 775-805 |
| 900 | 879-905 | 875-905 |
| 1000 | 979-1005 | 975-1005 |

LLD2 + LLB



| | X (MIN-MAX) | Y (MIN-MAX) |
|------|-------------|-------------|
| 700 | 679-705 | - |
| 750 | 729-765 | - |
| 800 | 779-805 | - |
| 900 | 879-905 | - |
| 1000 | 979-1005 | 970-1005 |
| 1200 | | 1170-1205 |
| 1400 | | 1370-1405 |
| 1600 | | 1570-1605 |