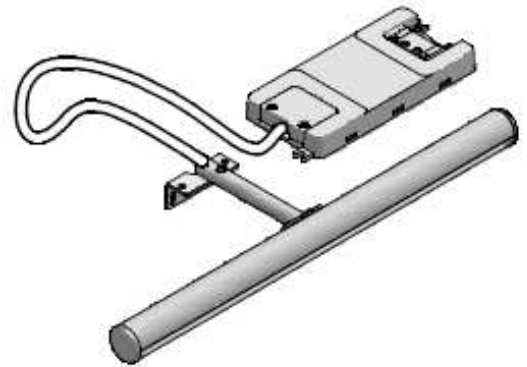
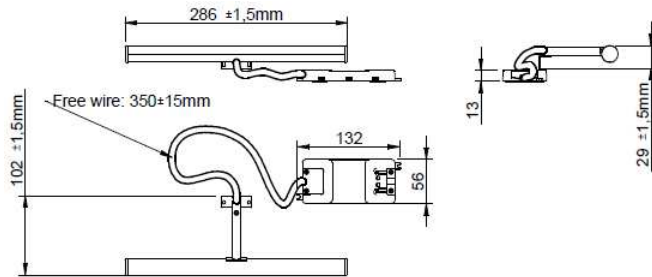


**MODEL:** APLIQUE IRENE S-3R CR LED CII IP44 1X6W 286MM C/M

**CODE:** 27400CI/300

**DIMENSIONS OF PRODUCT:**



**CRITERIA OF EXTERIOR ASPECT(RE-33033):**

**QUALITY OF POLISHED SURFACE:**

**SURFACES :**

- 1- Support plate:
- 2- Top and side:
- 3- Front and bottom:

**QUALITY SYMBOLS**

- NORMAL
- GOOD
- VERY GOOD

**MATERIALS AND DECORATIONS:**

Aluminium/Zamak Finish: Brigh chrome  
PC protector

**FIXING TO SURFACE:**

Wooden frame

**BOXING**

INSIDE	UNITS	MEASUREMENTS "MM"			WEIGHT "kg"	VOLUME "m3"	COMPONENTS
Box	1	0,035	0,115	0,29	0,26	0,00116725	1 Applied with power supply wiring 1 Bag with screws 2 Instruction sheet 1 Led module installed in luminaire
OUTSIDE							
Lot box	20	0,21 x 0,305 x 0,51			6.9	0,032666	20 Individual boxes by batch
Palet	840	1,98 x 0,8 x 1,2			314,8	1,900800	42 Industrial boxes x 20 individual

**MANUFACTURING REQUIREMENTS:**

Minimum of production: 1000 Un.  
Delivery time: 65 Working days

**SPARE**

E25878-Power supply 6W AED06-700IIP44; E26055EI-UTE;E24915EI- Multi

**ELECTRIC POWER**

Nominal voltage	Power	Lamp holder	Lamp		Connexion to network
220-240V~50/60Hz	MAX 1X6W	LED		A+	Using driver 6W AED06-700IIP44

**STANDARIZATION AND CLASSIFICATION**

UNE-EN 60598

**IP44**

0,10m

certificate nº  
**CC\_EBILU131906**

**ILLUMINANCE AND LIGHT SOURCE**

Light temp	life bulb	Lux		Direction of light  180°
5700K	36000h	1) 850		
	Lumens	2) 365		
	4) 383	3) 105		

**ECO DESIGN**

**RoHS COMPLIANT 2002/95/EC**

Ecological impact value

0,667